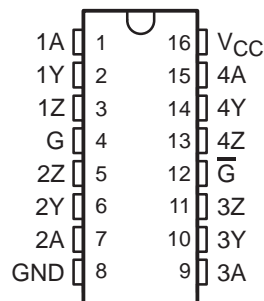


AM26LS31C QUADRUPLE DIFFERENTIAL LINE DRIVER

SLLS114C – JANUARY 1979 – REVISED MAY 1995

- Meets or Exceeds the Requirements of ANSI EIA/TIA-422-B and ITU Recommendation V.11
- Operates From a Single 5-V Supply
- TTL Compatible
- Complementary Outputs
- High Output Impedance in Power-Off Conditions
- Complementary Output Enable Inputs

D OR N PACKAGE
(TOP VIEW)



description

The AM26LS31C is a quadruple complementary-output line driver designed to meet the requirements of ANSI EIA/TIA-422-B and ITU (formerly CCITT) V.11. The 3-state outputs have high-current capability for driving balanced lines such as twisted-pair or parallel-wire transmission lines, and they provide a high-impedance state in the power-off condition. The enable function is common to all four drivers and offers the choice of an active-high or active-low enable input. Low-power Schottky circuitry reduces power consumption without sacrificing speed.

The AM26LS31C is characterized for operation from 0°C to 70°C.

FUNCTION TABLE
(each driver)

INPUT A	ENABLES		OUTPUTS	
	G	\bar{G}	Y	Z
H	H	X	H	L
L	H	X	L	H
H	X	L	H	L
L	X	L	L	H
X	L	H	Z	Z

H = high level, L = low level, X = irrelevant,
Z = high impedance (off)



Please be aware that an important notice concerning availability, standard warranty, and use in critical applications of Texas Instruments semiconductor products and disclaimers thereto appears at the end of this data sheet.

PRODUCTION DATA information is current as of publication date. Products conform to specifications per the terms of Texas Instruments standard warranty. Production processing does not necessarily include testing of all parameters.

 **TEXAS
INSTRUMENTS**

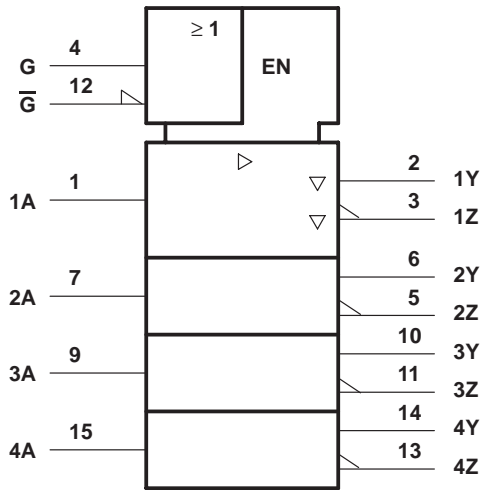
POST OFFICE BOX 655303 • DALLAS, TEXAS 75265

Copyright © 1995, Texas Instruments Incorporated

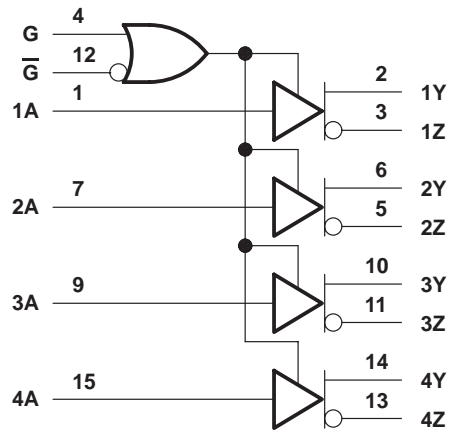
AM26LS31C QUADRUPLE DIFFERENTIAL LINE DRIVER

SLLS114C – JANUARY 1979 – REVISED MAY 1995

logic symbol†



logic diagram (positive logic)

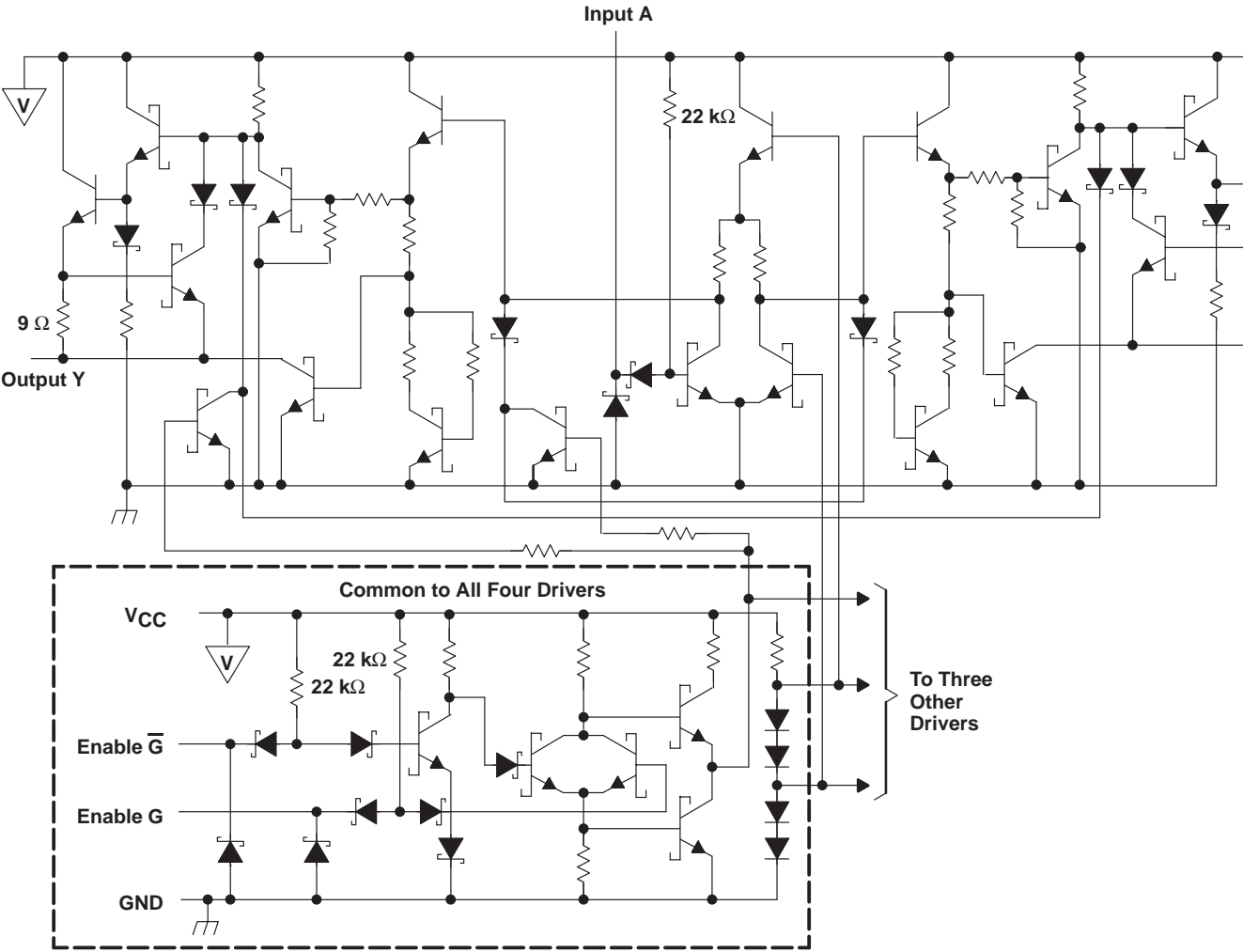


† This symbol is in accordance with ANSI/IEEE Std 91-1984 and IEC Publication 617-12.

AM26LS31C QUADRUPLE DIFFERENTIAL LINE DRIVER

SLLS114C – JANUARY 1979 – REVISED MAY 1995

schematic (each driver)



All resistor values are nominal.

absolute maximum ratings over operating free-air temperature range (unless otherwise noted)†

Supply voltage, V_{CC} (see Note 1)	7 V
Input voltage, V_I	7 V
Output off-state voltage	5.5 V
Continuous total power dissipation	See Dissipation Rating Table
Operating free-air temperature range, T_A	0°C to 70°C
Storage temperature range, T_{stg}	-65°C to 150°C
Lead temperature 1,6 mm (1/16 inch) from case for 10 seconds	260°C

† Stresses beyond those listed under “absolute maximum ratings” may cause permanent damage to the device. These are stress ratings only, and functional operation of the device at these or any other conditions beyond those indicated under “recommended operating conditions” is not implied. Exposure to absolute-maximum-rated conditions for extended periods may affect device reliability.

NOTE 1: All voltage values, except differential output voltage V_{OD} , are with respect to network GND.



AM26LS31C

QUADRUPLE DIFFERENTIAL LINE DRIVER

SLLS114C – JANUARY 1979 – REVISED MAY 1995

DISSIPATION RATING TABLE

PACKAGE	T _A ≤ 25°C POWER RATING	DERATING FACTOR ABOVE T _A = 25°C	T _A = 70°C POWER RATING
D	950 mW	7.6 mW/°C	608 mW
N	1150 mW	9.2 mW/°C	736 mW

recommended operating conditions

	MIN	NOM	MAX	UNIT
Supply voltage, V _{CC}	4.75	5	5.25	V
High-level input voltage, V _{IH}	2			V
Low-level input voltage, V _{IL}			0.8	V
High-level output current, I _{OH}			-20	mA
Low-level output current, I _{OL}			20	mA
Operating free-air temperature, T _A	0		70	°C

electrical characteristics over operating free-air temperature range (unless otherwise noted)

PARAMETER	TEST CONDITIONS	MIN	TYP†	MAX	UNIT
V _{IK} Input clamp voltage	V _{CC} = 4.75 V, I _I = -18 mA			-1.5	V
V _{OH} High-level output voltage	V _{CC} = 4.75 V, I _{OH} = -20 mA	2.5			V
V _{OL} Low-level output voltage	V _{CC} = 4.75 V, I _{OL} = 20 mA			0.5	V
I _{OZ} Off-state (high-impedance-state) output current	V _{CC} = 4.75 V			-20	μA
	V _O = 0.5 V V _O = 2.5 V			20	
I _I Input current at maximum input voltage	V _{CC} = 5.25 V, V _I = 7 V			0.1	mA
I _{IH} High-level input current	V _{CC} = 5.25 V, V _I = 2.7 V			20	μA
I _{IL} Low-level input current	V _{CC} = 5.25 V, V _I = 0.4 V			-0.36	mA
I _{OS} Short-circuit output current‡	V _{CC} = 5.25 V	-30		-150	mA
I _{CC} Supply current	V _{CC} = 5.25 V, All outputs disabled		32	80	mA

† All typical values are at V_{CC} = 5 V and T_A = 25°C.

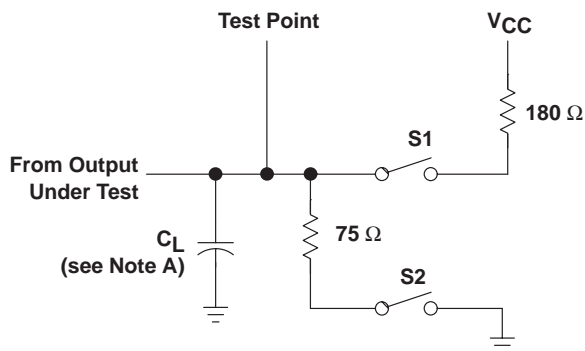
‡ Not more than one output should be shorted at a time, and duration of the short circuit should not exceed one second.

switching characteristics, V_{CC} = 5 V, T_A = 25°C

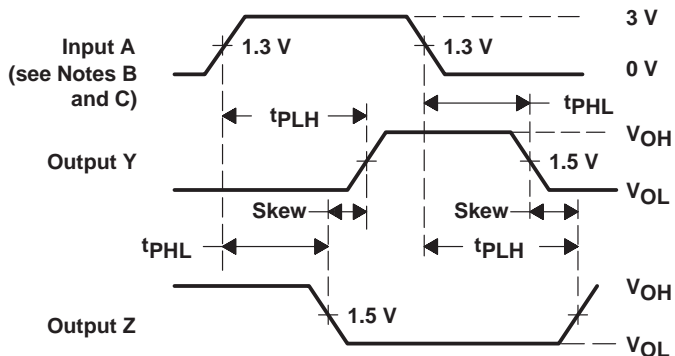
PARAMETER	TEST CONDITIONS	MIN	TYP	MAX	UNIT
t _{PLH} Propagation delay time, low-to-high-level output	C _L = 30 pF, S1 and S2 open, See Figure 1		14	20	ns
t _{PHL} Propagation delay time, high-to-low-level output			14	20	ns
Output-to-output skew			1	6	ns
t _{pZH} Output enable time to high level	C _L = 30 pF, R _L = 75 Ω, See Figure 1		25	40	ns
t _{pZL} Output enable time to low level	C _L = 30 pF, R _L = 180 Ω, See Figure 1		37	45	ns
t _{PHZ} Output disable time from high level	C _L = 10 pF, S1 and S2 closed, See Figure 1		21	30	ns
t _{PLZ} Output disable time from low level			23	35	ns



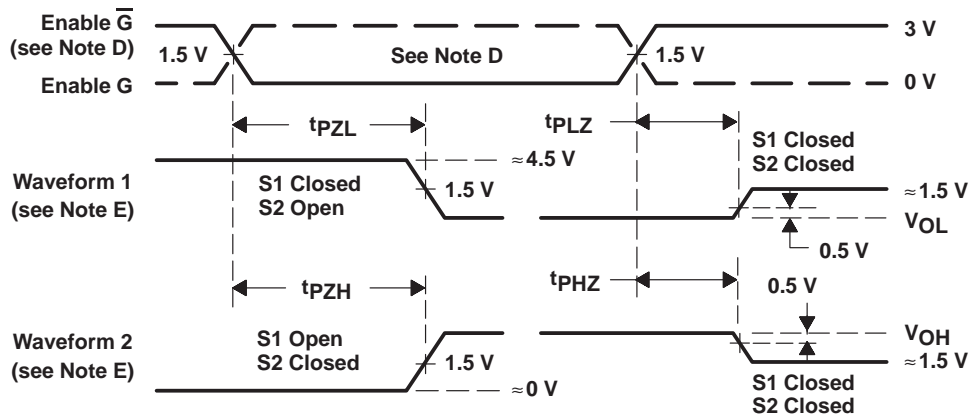
PARAMETER MEASUREMENT INFORMATION



TEST CIRCUIT



PROPAGATION DELAY TIMES AND SKEW



ENABLE AND DISABLE TIME WAVEFORMS

- NOTES: A. C_L includes probe and jig capacitance.
 B. All input pulses are supplied by generators having the following characteristics: $PRR \leq 1$ MHz, $Z_O \approx 50 \Omega$, $t_r \leq 15$ ns, and $t_f \leq 6$ ns.
 C. When measuring propagation delay times and skew, switches S1 and S2 are open.
 D. Each enable is tested separately.
 E. Waveform 1 is for an output with internal conditions such that the output is low except when disabled by the output control. Waveform 2 is for an output with internal conditions such that the output is high except when disabled by the output control.

Figure 1. Test Circuit and Voltage Waveforms

AM26LS31C QUADRUPLE DIFFERENTIAL LINE DRIVER

SLLS114C – JANUARY 1979 – REVISED MAY 1995

TYPICAL CHARACTERISTICS

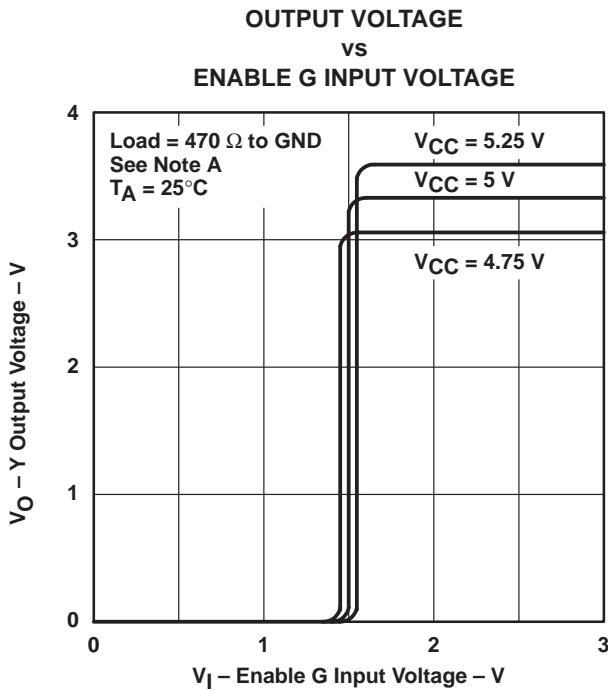


Figure 2

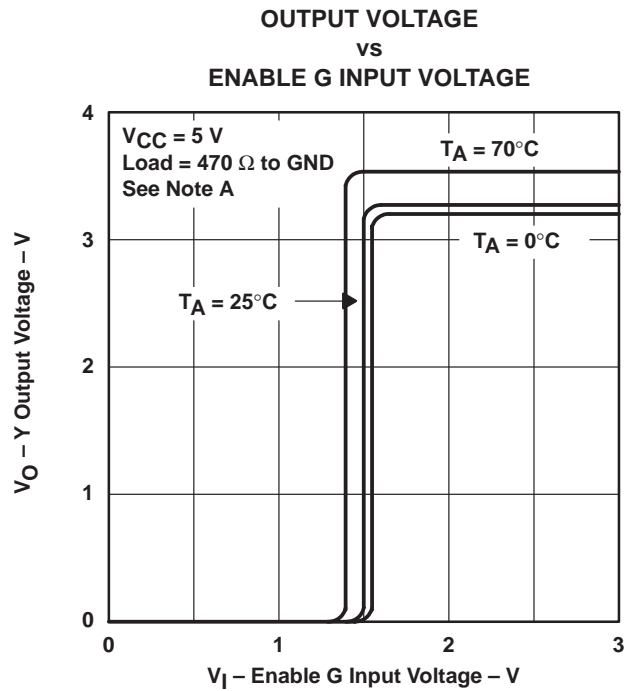


Figure 3

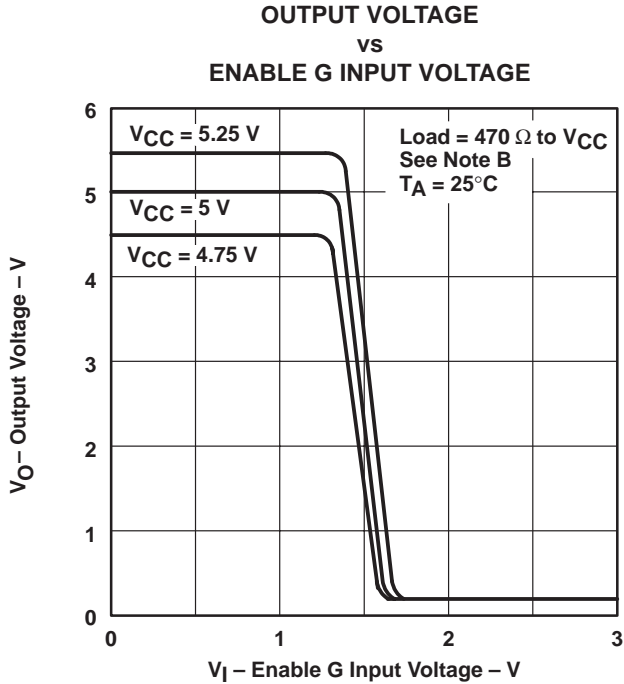


Figure 4

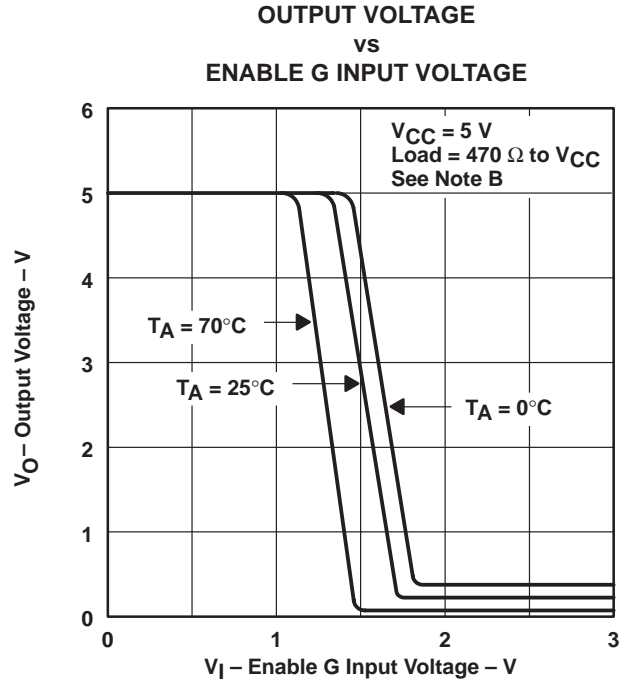


Figure 5

NOTES: A. The A input is connected to V_{CC} during the testing of the Y outputs and to ground during testing of the Z outputs.
B. The A input is connected to ground during the testing of the Y outputs and to V_{CC} during the testing of the Z outputs.

TYPICAL CHARACTERISTICS

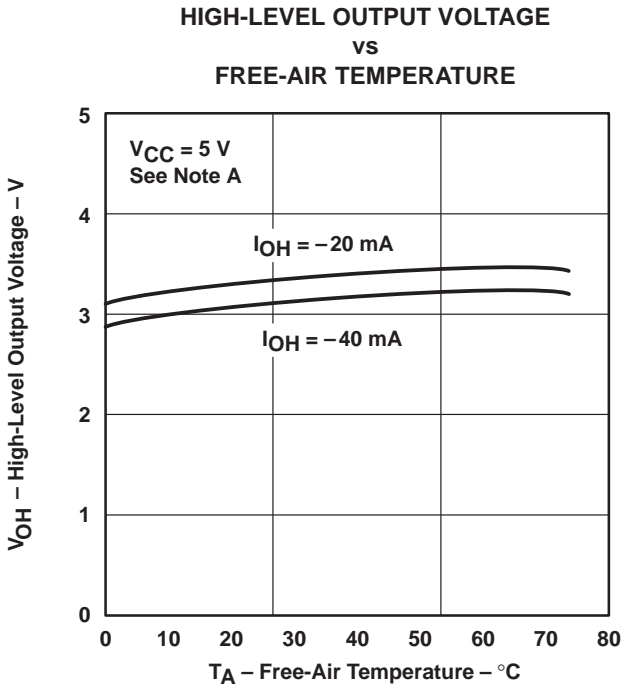


Figure 6

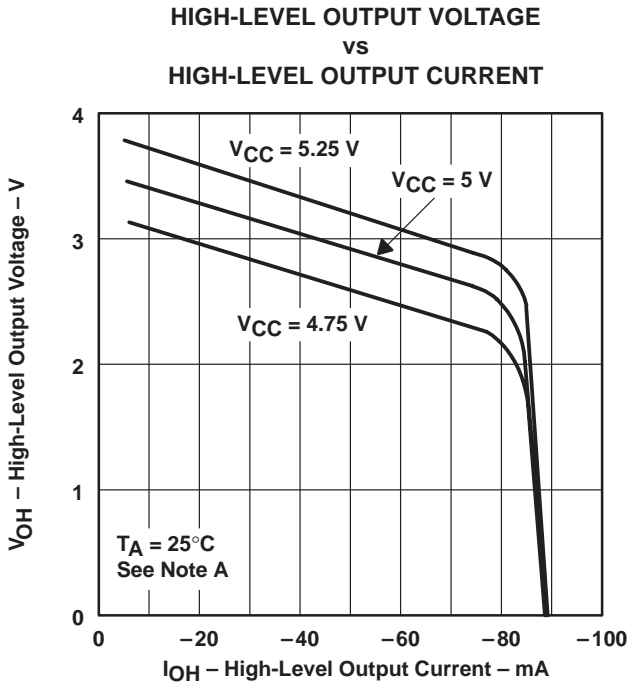


Figure 7

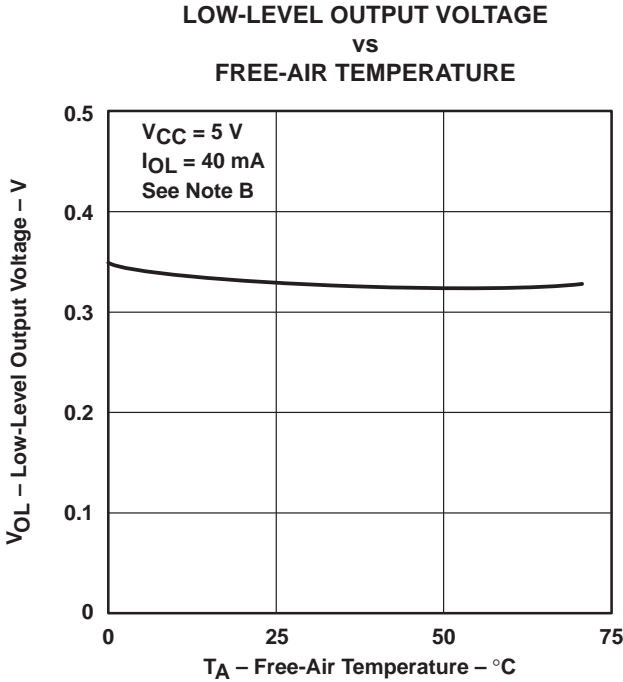


Figure 8

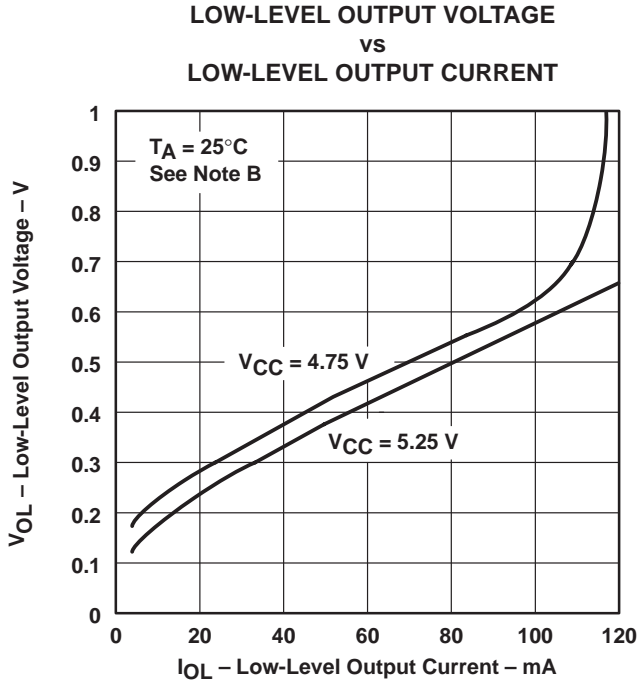


Figure 9

NOTES: A. The A input is connected to V_{CC} during the testing of the Y outputs and to ground during testing of the Z outputs.
 B. The A input is connected to ground during the testing of the Y outputs and to V_{CC} during the testing of the Z inputs.

AM26LS31C QUADRUPLE DIFFERENTIAL LINE DRIVER

SLLS114C – JANUARY 1979 – REVISED MAY 1995

TYPICAL CHARACTERISTICS

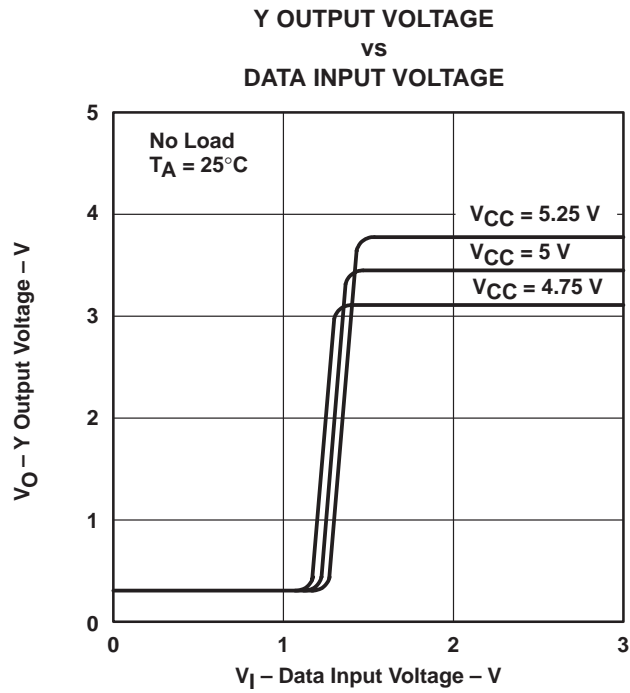


Figure 10

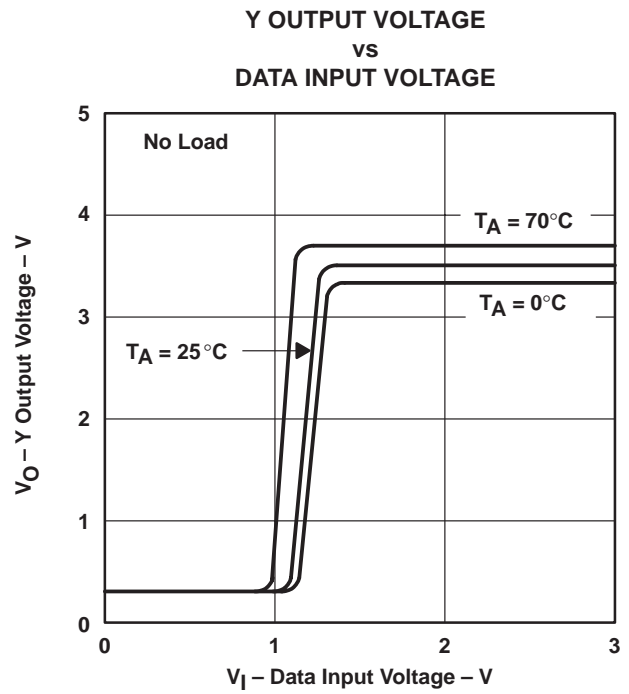


Figure 11

IMPORTANT NOTICE

Texas Instruments (TI) reserves the right to make changes to its products or to discontinue any semiconductor product or service without notice, and advises its customers to obtain the latest version of relevant information to verify, before placing orders, that the information being relied on is current and complete.

TI warrants performance of its semiconductor products and related software to the specifications applicable at the time of sale in accordance with TI's standard warranty. Testing and other quality control techniques are utilized to the extent TI deems necessary to support this warranty. Specific testing of all parameters of each device is not necessarily performed, except those mandated by government requirements.

Certain applications using semiconductor products may involve potential risks of death, personal injury, or severe property or environmental damage ("Critical Applications").

TI SEMICONDUCTOR PRODUCTS ARE NOT DESIGNED, INTENDED, AUTHORIZED, OR WARRANTED TO BE SUITABLE FOR USE IN LIFE-SUPPORT APPLICATIONS, DEVICES OR SYSTEMS OR OTHER CRITICAL APPLICATIONS.

Inclusion of TI products in such applications is understood to be fully at the risk of the customer. Use of TI products in such applications requires the written approval of an appropriate TI officer. Questions concerning potential risk applications should be directed to TI through a local SC sales office.

In order to minimize risks associated with the customer's applications, adequate design and operating safeguards should be provided by the customer to minimize inherent or procedural hazards.

TI assumes no liability for applications assistance, customer product design, software performance, or infringement of patents or services described herein. Nor does TI warrant or represent that any license, either express or implied, is granted under any patent right, copyright, mask work right, or other intellectual property right of TI covering or relating to any combination, machine, or process in which such semiconductor products or services might be or are used.