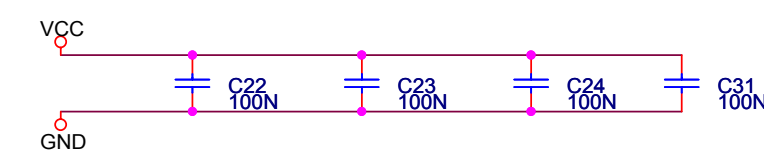
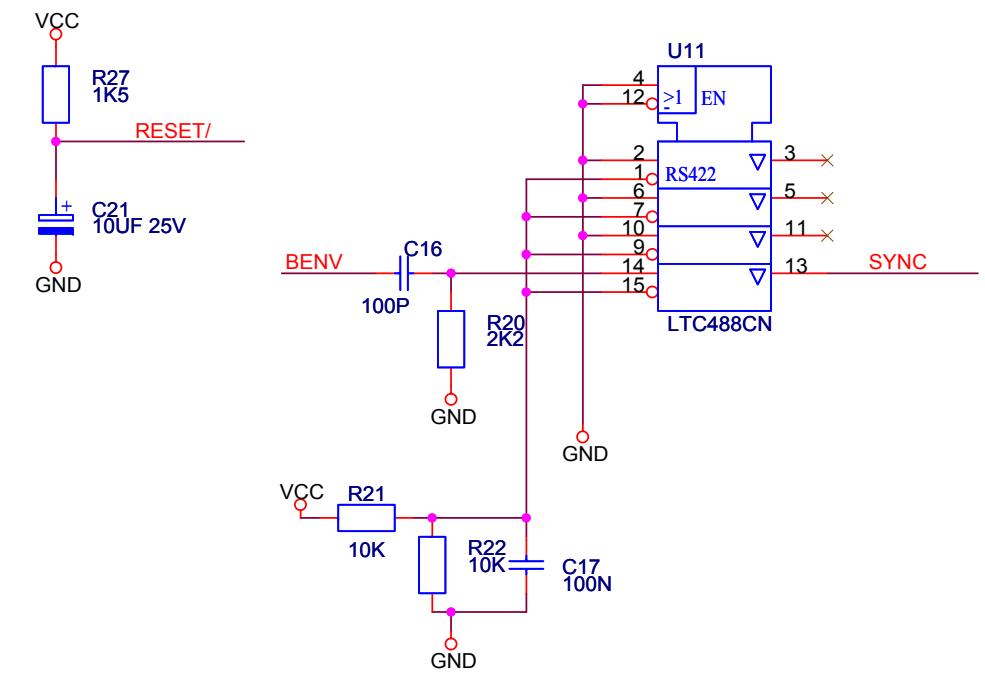
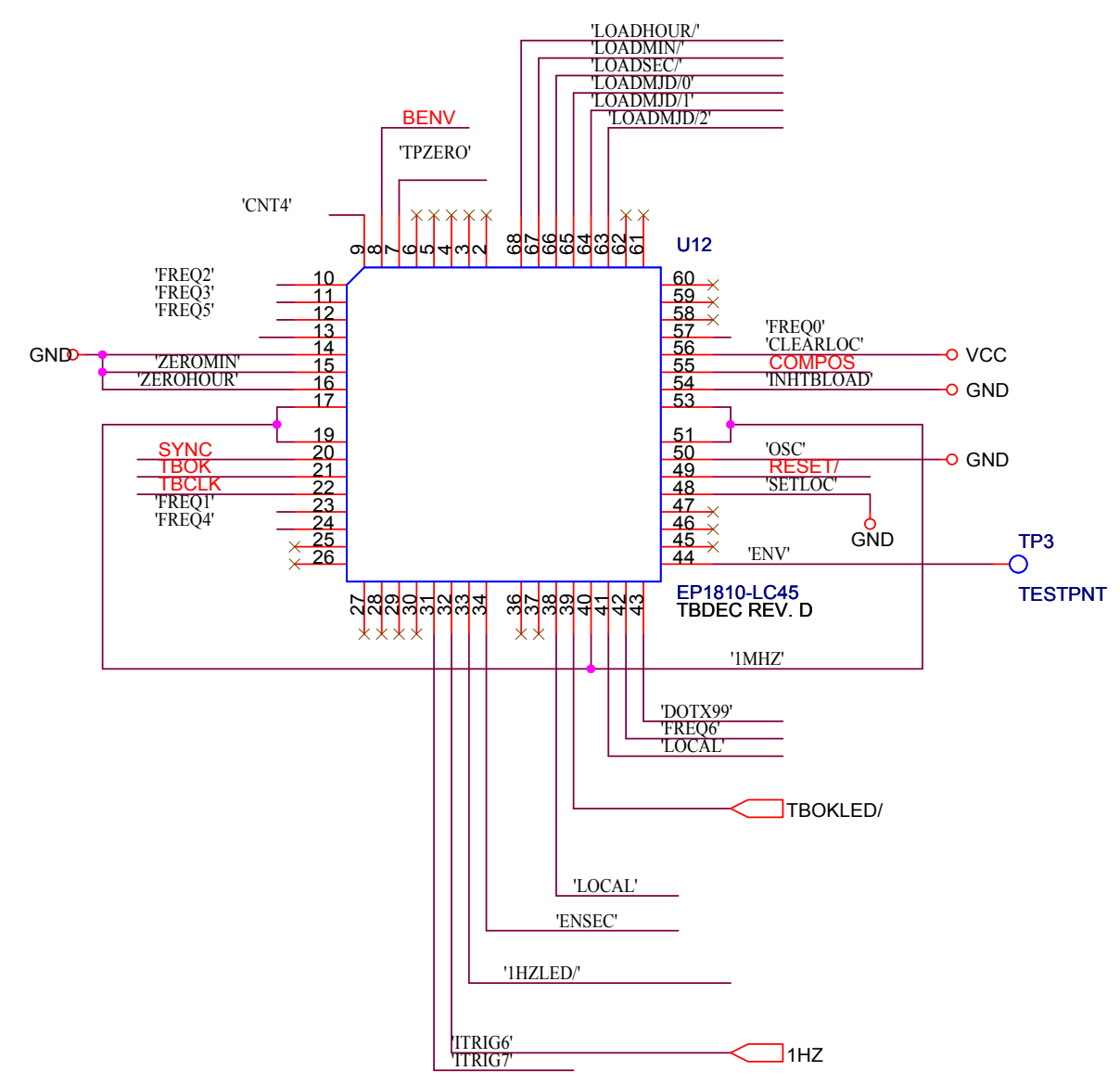
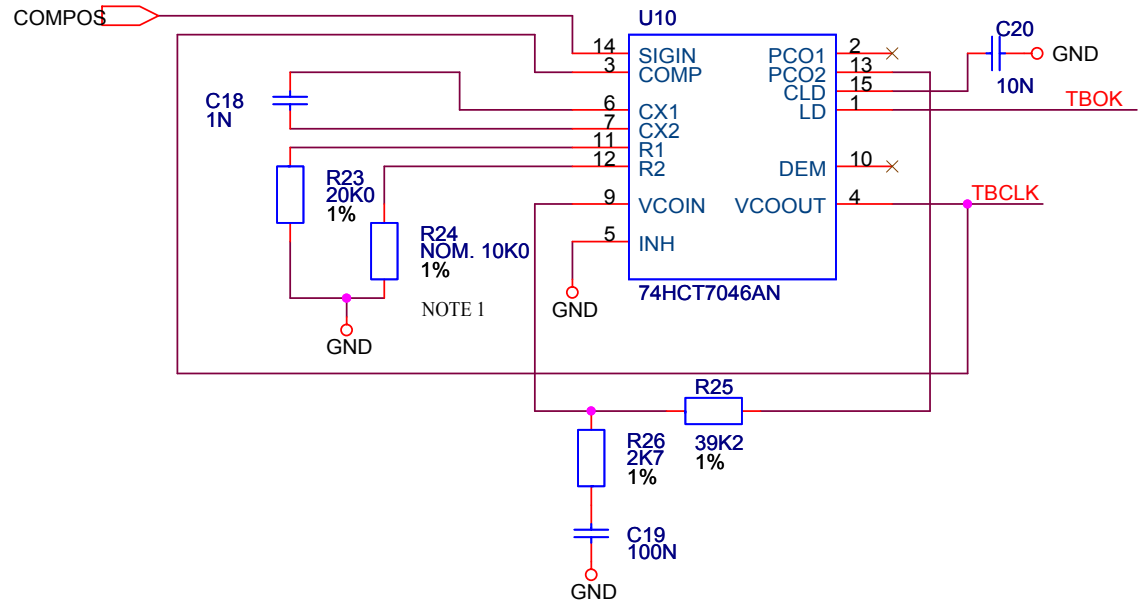



SHEET 1: MAIN PART

	EUROPEAN SOUTHERN OBSERVATORY 85748 GARCHING, GERMANY Design: M. Ravensbergen File: D:\DATA\TIM\TBDB RX\SCHEMATICS\RECEIVER.DSN Product: VLT TIME REFERENCE SYSTEM	
	TIME BUS DISTR. BOX, RECEIVER	
Size: A3	Document Number: VLT-DWG-ESO-17300-0798	Rev. / Date: A, 5MAR1997
VERY LARGE TELESCOPE		Sheet 1 of 2



NOTE 1: ADJUST R24 SUCH THAT U21-9 IS 2V +/- 25% WHEN THE PLL IS IN LOCK.

SHEET 2: TIME BUS DECODER PART

	EUROPEAN SOUTHERN OBSERVATORY 85748 GARCHING, GERMANY Design: M. Ravensbergen File: D:\DATA\TIM\TBDB RX\SCHEMATICS\RECEIVER.DSN Product: VLT TIME REFERENCE SYSTEM	
	TIME BUS DISTR. BOX, RECEIVER	
Size: A3	Document Number: VLT-DWG-ESO-17300-0798	Rev. / Date: A, 5MAR1997
VERY LARGE TELESCOPE		Sheet 2 of 2